



Simplicity Bubblers Chilled Beverage Dispensers 2x18 L, agitator model with locking lid

ITEM # _____

MODEL # _____

NAME # _____

SIS # _____

AIA # _____



CCCRLO (ECS2D22)

Chilled Beverage Dispenser
with 2x18 liter bowls with
agitator and locking lid,
R290

Short Form Specification

Item No. _____

Chilled beverage dispenser, 2x18lt, with agitation function for fresh juices, coffees, or teas with minimal foaming system. Dispense 2 flavors in 18lt easy-clean bowls with 23cm cup clearance. Easy-off bowl release system for faster and easier assembly and disassembly. Bowls with locking lid for added safety against tampering.

Temperature range from 1.7 - 5° C. Pre-mix dispenser with stainless steel base and clear plastic bowls. Compact size of 52 cm.

Main Features

- Agitation function for fresh juices, coffees, or teas with minimal foaming system.
- Easy-off bowl release system for faster and easier assembly and disassembly.
- User friendly design enables machine to dispense product till the very last drop.
- Two flavors dispensed with 18 L easy-clean bowls with 23 cm cup clearance.

Construction

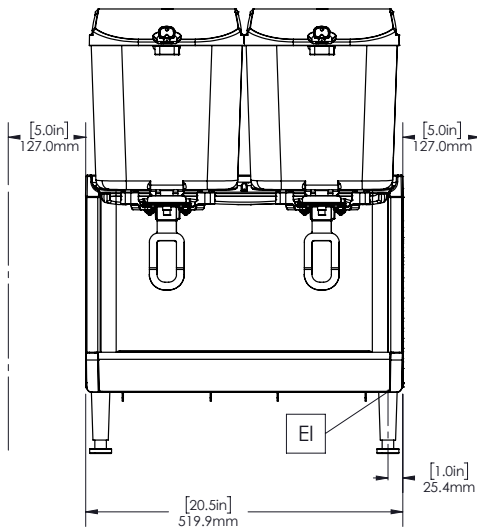
- Pre-mix dispenser with stainless steel base and clear plastic bowls.
- Fewer removable parts to simplify cleaning and reduce maintenance.
- Temperature range from 1.7 - 5° C.
- Compact size of 52 cm wide saves valuable counter space.
- The air intakes from the bottom and exhaust to back.
- Locking lid for added safety against tampering.
- Refrigerant type: R290.

APPROVAL: _____

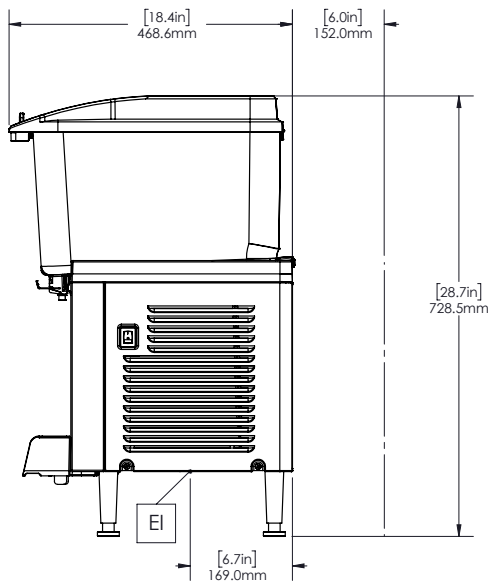


Experience the Excellence
www.electroluxprofessional.com

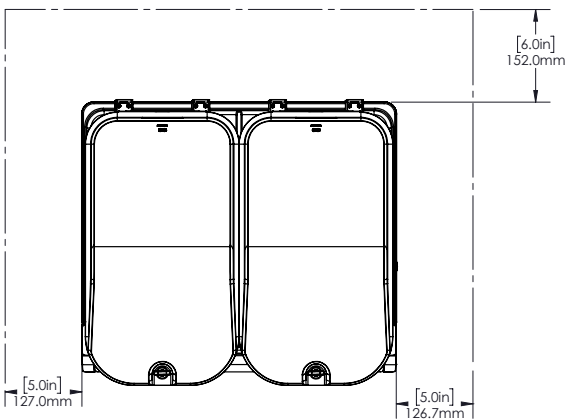
Front



Side



Top



Simplicity Bubblers
Chilled Beverage Dispensers 2x18 L, agitator model with locking lid

The company reserves the right to make modifications to the products without prior notice. All information correct at time of printing.



Electrolux
PROFESSIONAL

Simplicity Bubblers Chilled Beverage Dispensers 2x18 L, agitator model with locking lid

Electric

Supply voltage:	220-240 V/1N ph/50/60 Hz
Electrical power max:	0.6 kW

Key Information:

Net weight:	32 kg
Shipping weight:	35 kg
Shipping height:	528 mm
Shipping width:	483 mm
Shipping depth:	630 mm

Sustainability

Refrigerant type:	R290
Refrigerant weight:	85 g



Simplicity Bubblers
Chilled Beverage Dispensers 2x18 L, agitator model with locking lid
The company reserves the right to make modifications to the products
without prior notice. All information correct at time of printing.

2025.04.18